

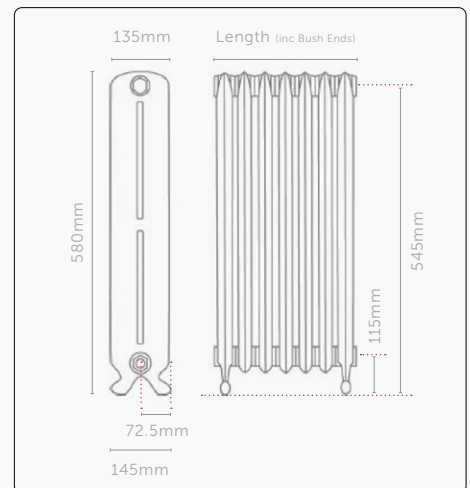
Kensington

With a fabulous fluid form and exquisite ornate detail, this vintage radiator exudes luxury. The Kensington vintage cast iron radiator is a decoratively distinctive vintage styled cast iron radiator that echoes a bygone era. This freestanding vintage radiator has a stunning ornate scrolled detail that lends itself well to our hand-painted highlight option or an antique paint effect. The Kensington is a popular choice for a traditional refurbishment, barn or warehouse conversion, but is equally at home in a modern setting. Let the beautiful lines of the Kensington magically enhance your room.

HEIGHT (Please select your required height to view heat output and specifications)

580 750 780

CODE/ SECTIONS	LENGTH	OUTPUT				WEIGHT (KG)	WATER CONTENT (LTRs)
		Dt60		Dt50			
		BTUs	WATTS	BTUs	WATTS		
KEN-580-03	247	910	267	718	211	17	3.60
KEN-580-04	318	1214	356	958	281	23	4.80
KEN-580-05	389	1517	445	1197	351	29	6.00
KEN-580-06	460	1820	534	1437	421	34	7.20
KEN-580-07	531	2124	622	1676	491	40	8.40
KEN-580-08	602	2427	711	1916	561	46	9.60
KEN-580-09	673	2730	800	2155	632	51	10.80
KEN-580-10	744	3034	889	2395	702	57	12.00
KEN-580-11	815	3337	978	2634	772	63	13.20
KEN-580-12	886	3641	1067	2873	842	68	14.40
KEN-580-13	957	3944	1156	3113	912	74	15.60
KEN-580-14	1028	4247	1245	3352	983	80	16.80
KEN-580-15	1099	4551	1334	3592	1053	86	18.00
KEN-580-16	1170	4854	1423	3831	1123	91	19.20
KEN-580-17	1241	5158	1512	4071	1193	97	20.40
KEN-580-18	1312	5461	1601	4310	1263	103	21.60
KEN-580-19	1383	5764	1689	4550	1333	108	22.80
KEN-580-20	1454	6068	1778	4789	1404	114	24.00
KEN-580-21	1525	6371	1867	5029	1474	120	25.20
KEN-580-22	1596	6675	1956	5268	1544	125	26.40
KEN-580-23	1667	6978	2045	5507	1614	131	27.60
KEN-580-24	1738	7281	2134	5747	1684	137	28.80
KEN-580-25	1809	7585	2223	5986	1755	143	30.00
KEN-580-26	1880	7888	2312	6226	1825	148	31.20
KEN-580-27	1951	8191	2401	6465	1895	154	32.40
KEN-580-28	2022	8495	2490	6705	1965	160	33.60
KEN-580-29	2093	8798	2579	6944	2035	165	34.80
KEN-580-30	2164	9102	2668	7184	2105	171	36.00
KEN-580-31	2235	9405	2756	7423	2176	177	37.20
KEN-580-32	2306	9708	2845	7663	2246	182	38.40
KEN-580-33	2377	10012	2934	7902	2316	188	39.60
KEN-580-34	2448	10315	3023	8141	2386	194	40.80
KEN-580-35	2519	10619	3112	8381	2456	200	42.00
KEN-580-36	2590	10922	3201	8620	2526	205	43.20
KEN-580-37	2661	11225	3290	8860	2597	211	44.40
KEN-580-38	2732	11529	3379	9099	2667	217	45.60
KEN-580-39	2803	11832	3468	9339	2737	222	46.80
KEN-580-40	2874	12136	3557	9578	2807	228	48.00



01205 280354

sales@paladinradiators.com

www.paladinradiators.com

Paladin Radiators, Langrick Road,
New York, Lincolnshire LN4 4XH



Maximum test pressure = 3.3 bar | Maximum working pressure = 2.5 bar

Dt50 figures shown in accordance with BS EN442. We have, from experience, found that the Dt60 figures usually give adequate output without oversizing the radiators on standard heating systems. Maximum test pressure = 3.3 bar | Maximum working pressure = 2.5 bar. Lengths quoted are given in good faith. However, due to the nature of the manufacturing process tolerances can and should be expected. Quoted dimensions should therefore only be used as a guideline. Longer lengths are available on request.

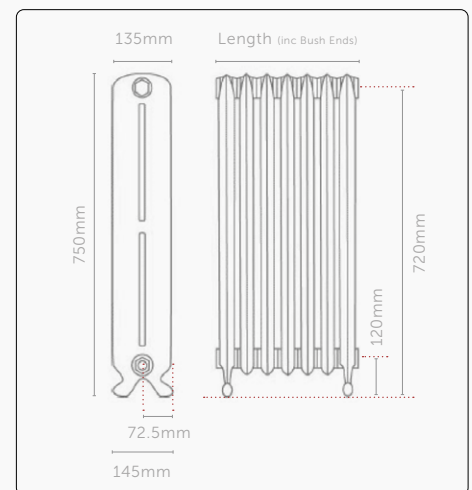
Kensington

With a fabulous fluid form and exquisite ornate detail, this vintage radiator exudes luxury. The Kensington vintage cast iron radiator is a decoratively distinctive vintage styled cast iron radiator that echoes a bygone era. This freestanding vintage radiator has a stunning ornate scrolled detail that lends itself well to our hand-painted highlight option or an antique paint effect. The Kensington is a popular choice for a traditional refurbishment, barn or warehouse conversion, but is equally at home in a modern setting. Let the beautiful lines of the Kensington magically enhance your room.

HEIGHT (Please select your required height to view heat output and specifications)

580 **750** 780

CODE/ SECTIONS	LENGTH	OUTPUT				WEIGHT (KG)	WATER CONTENT (LTRs)
		Dt60		Dt50			
		BTUs	WATTS	BTUs	WATTS		
KEN-750-03	247	1214	356	958	281	20	4.50
KEN-750-04	318	1619	475	1278	375	27	6.00
KEN-750-05	389	2024	593	1597	468	34	7.50
KEN-750-06	460	2429	712	1917	562	41	9.00
KEN-750-07	531	2834	830	2236	655	47	10.50
KEN-750-08	602	3238	949	2556	749	54	12.00
KEN-750-09	673	3643	1068	2875	843	61	13.50
KEN-750-10	744	4048	1186	3195	936	68	15.00
KEN-750-11	815	4453	1305	3514	1030	74	16.50
KEN-750-12	886	4858	1424	3834	1124	81	18.00
KEN-750-13	957	5262	1542	4153	1217	88	19.50
KEN-750-14	1028	5667	1661	4473	1311	95	21.00
KEN-750-15	1099	6072	1780	4792	1405	101	22.50
KEN-750-16	1170	6477	1898	5112	1498	108	24.00
KEN-750-17	1241	6882	2017	5431	1592	115	25.50
KEN-750-18	1312	7287	2136	5751	1686	122	27.00
KEN-750-19	1383	7691	2254	6070	1779	128	28.50
KEN-750-20	1454	8096	2373	6390	1873	135	30.00
KEN-750-21	1525	8501	2491	6709	1966	142	31.50
KEN-750-22	1596	8906	2610	7029	2060	149	33.00
KEN-750-23	1667	9311	2729	7348	2154	156	34.50
KEN-750-24	1738	9715	2847	7668	2247	162	36.00
KEN-750-25	1809	10120	2966	7987	2341	169	37.50
KEN-750-26	1880	10525	3085	8307	2435	176	39.00
KEN-750-27	1951	10930	3203	8626	2528	183	40.50
KEN-750-28	2022	11335	3322	8946	2622	189	42.00
KEN-750-29	2093	11739	3441	9265	2716	196	43.50
KEN-750-30	2164	12144	3559	9585	2809	203	45.00
KEN-750-31	2235	12549	3678	9904	2903	210	46.50
KEN-750-32	2306	12954	3797	10224	2996	216	48.00
KEN-750-33	2377	13359	3915	10543	3090	223	49.50
KEN-750-34	2448	13763	4034	10863	3184	230	51.00
KEN-750-35	2519	14168	4152	11182	3277	237	52.50
KEN-750-36	2590	14573	4271	11502	3371	243	54.00
KEN-750-37	2661	14978	4390	11821	3465	250	55.50
KEN-750-38	2732	15383	4508	12141	3558	257	57.00
KEN-750-39	2803	15787	4627	12460	3652	264	58.50
KEN-750-40	2874	16192	4746	12780	3746	270	60.00



01205 280354

sales@paladinradiators.com

www.paladinradiators.com

Paladin Radiators, Langrick Road,
New York, Lincolnshire LN4 4XH



Maximum test pressure = 3.3 bar | Maximum working pressure = 2.5 bar

Dt50 figures shown in accordance with BS EN442. We have, from experience, found that the Dt60 figures usually give adequate output without oversizing the radiators on standard heating systems. Maximum test pressure = 3.3 bar | Maximum working pressure = 2.5 bar. Lengths quoted are given in good faith. However, due to the nature of the manufacturing process tolerances can and should be expected. Quoted dimensions should therefore only be used as a guideline. Longer lengths are available on request.

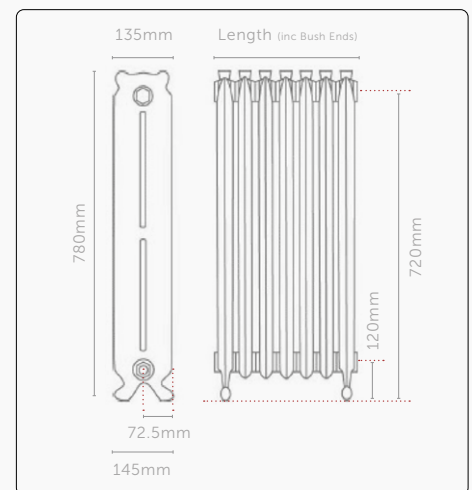
Kensington

With a fabulous fluid form and exquisite ornate detail, this vintage radiator exudes luxury. The Kensington vintage cast iron radiator is a decoratively distinctive vintage styled cast iron radiator that echoes a bygone era. This freestanding vintage radiator has a stunning ornate scrolled detail that lends itself well to our hand-painted highlight option or an antique paint effect. The Kensington is a popular choice for a traditional refurbishment, barn or warehouse conversion, but is equally at home in a modern setting. Let the beautiful lines of the Kensington magically enhance your room.

HEIGHT (Please select your required height to view heat output and specifications)

580 750 780

CODE/ SECTIONS	LENGTH	OUTPUT				WEIGHT (KG)	WATER CONTENT (LTRs)
		Dt60		Dt50			
		BTUs	WATTS	BTUs	WATTS		
KEN-780-03	247	1230	360	971	284	22	4.50
KEN-780-04	318	1640	481	1294	379	29	6.00
KEN-780-05	389	2050	601	1618	474	36	7.50
KEN-780-06	460	2459	721	1941	569	44	9.00
KEN-780-07	531	2869	841	2265	664	51	10.50
KEN-780-08	602	3279	961	2588	759	58	12.00
KEN-780-09	673	3689	1081	2912	853	65	13.50
KEN-780-10	744	4099	1201	3235	948	73	15.00
KEN-780-11	815	4509	1322	3559	1043	80	16.50
KEN-780-12	886	4919	1442	3882	1138	87	18.00
KEN-780-13	957	5329	1562	4206	1233	94	19.50
KEN-780-14	1028	5739	1682	4529	1327	102	21.00
KEN-780-15	1099	6149	1802	4853	1422	109	22.50
KEN-780-16	1170	6559	1922	5176	1517	116	24.00
KEN-780-17	1241	6968	2042	5500	1612	123	25.50
KEN-780-18	1312	7378	2162	5823	1707	131	27.00
KEN-780-19	1383	7788	2283	6147	1802	138	28.50
KEN-780-20	1454	8198	2403	6471	1896	145	30.00
KEN-780-21	1525	8608	2523	6794	1991	153	31.50
KEN-780-22	1596	9018	2643	7118	2086	160	33.00
KEN-780-23	1667	9428	2763	7441	2181	167	34.50
KEN-780-24	1738	9838	2883	7765	2276	174	36.00
KEN-780-25	1809	10248	3003	8088	2371	182	37.50
KEN-780-26	1880	10658	3124	8412	2465	189	39.00
KEN-780-27	1951	11067	3244	8735	2560	196	40.50
KEN-780-28	2022	11477	3364	9059	2655	203	42.00
KEN-780-29	2093	11887	3484	9382	2750	211	43.50
KEN-780-30	2164	12297	3604	9706	2845	218	45.00
KEN-780-31	2235	12707	3724	10029	2939	225	46.50
KEN-780-32	2306	13117	3844	10353	3034	232	48.00
KEN-780-33	2377	13527	3965	10676	3129	240	49.50
KEN-780-34	2448	13937	4085	11000	3224	247	51.00
KEN-780-35	2519	14347	4205	11323	3319	254	52.50
KEN-780-36	2590	14757	4325	11647	3414	261	54.00
KEN-780-37	2661	15167	4445	11970	3508	269	55.50
KEN-780-38	2732	15576	4565	12294	3603	276	57.00
KEN-780-39	2803	15986	4685	12618	3698	283	58.50
KEN-780-40	2874	16396	4805	12941	3793	290	60.00



01205 280354

sales@paladinradiators.com

www.paladinradiators.com

Paladin Radiators, Langrick Road,
New York, Lincolnshire LN4 4XH



Maximum test pressure = 3.3 bar | Maximum working pressure = 2.5 bar

Dt50 figures shown in accordance with BS EN442. We have, from experience, found that the Dt60 figures usually give adequate output without oversizing the radiators on standard heating systems. Maximum test pressure = 3.3 bar | Maximum working pressure = 2.5 bar. Lengths quoted are given in good faith. However, due to the nature of the manufacturing process tolerances can and should be expected. Quoted dimensions should therefore only be used as a guideline. Longer lengths are available on request.