

Clarendon

A truly classic design that has taken inspiration from some of Britain's oldest and most elite schools. The Clarendon is an old school cast iron radiator which has been expertly designed to be an exact copy of the original Clarendon. It is named after the Clarendon group of old schools some of which include Harrow, Eton and Winchester. This modest and characterful radiator lends itself to both contemporary and traditional spaces.

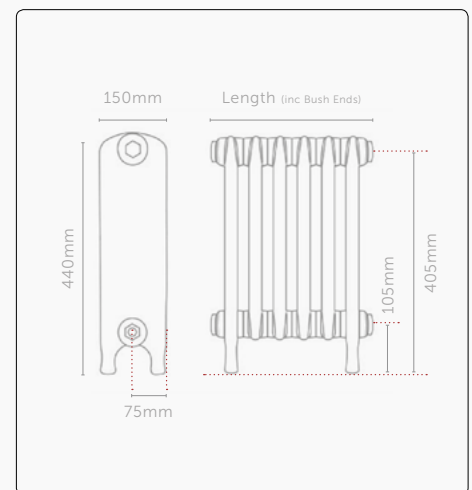
HEIGHT (Please select your required height to view heat output and specifications)

440 740

CODE	SECTIONS	LENGTH	OUTPUT		WEIGHT (KG)	WATER CONTENT (LTRs)
			75 / 65 / 20 BTUs	WATTS		
CLAR-440-03	3	228	750	220	13	3.00
CLAR-440-04	4	293	1000	293	17	4.00
CLAR-440-05	5	358	1250	366	21	5.00
CLAR-440-06	6	423	1500	440	25	6.00
CLAR-440-07	7	488	1750	513	30	7.00
CLAR-440-08	8	552	2000	586	34	8.00
CLAR-440-09	9	617	2250	659	38	9.00
CLAR-440-10	10	682	2500	733	42	10.00
CLAR-440-11	11	747	2750	806	47	11.00
CLAR-440-12	12	812	3000	879	51	12.00
CLAR-440-13	13	876	3250	953	55	13.00
CLAR-440-14	14	941	3500	1026	59	14.00
CLAR-440-15	15	1006	3750	1099	64	15.00
CLAR-440-16	16	1071	4000	1172	68	16.00
CLAR-440-17	17	1136	4250	1246	72	17.00
CLAR-440-18	18	1200	4500	1319	76	18.00
CLAR-440-19	19	1265	4750	1392	81	19.00
CLAR-440-20	20	1330	5000	1465	85	20.00
CLAR-440-21	21	1395	5250	1539	89	21.00
CLAR-440-22	22	1460	5500	1612	93	22.00
CLAR-440-23	23	1524	5750	1685	98	23.00
CLAR-440-24	24	1589	6000	1758	102	24.00
CLAR-440-25	25	1654	6250	1832	106	25.00
CLAR-440-26	26	1719	6500	1905	110	26.00
CLAR-440-27	27	1784	6750	1978	115	27.00
CLAR-440-28	28	1848	7000	2052	119	28.00
CLAR-440-29	29	1913	7250	2125	123	29.00
CLAR-440-30	30	1978	7500	2198	127	30.00
CLAR-440-31	31	2043	7750	2271	131	31.00
CLAR-440-32	32	2108	8000	2345	136	32.00
CLAR-440-33	33	2172	8250	2418	140	33.00
CLAR-440-34	34	2237	8500	2491	144	34.00
CLAR-440-35	35	2302	8750	2564	148	35.00
CLAR-440-36	36	2367	9000	2638	153	36.00
CLAR-440-37	37	2432	9250	2711	157	37.00
CLAR-440-38	38	2496	9500	2784	161	38.00
CLAR-440-39	39	2561	9750	2858	165	39.00
CLAR-440-40	40	2626	10000	2931	170	40.00

Maximum test pressure = 3.3 bar | Maximum working pressure = 2.5 bar

Lengths quoted are given in good faith. However, due to the nature of the manufacturing process tolerances can and should be expected. Quoted dimensions should therefore only be used as a guideline. Longer lengths are available on request.



01205 280354

sales@paladinradiators.com

www.paladinradiators.com

Paladin Radiators, Langrick Road,
New York, Lincolnshire LN4 4XH



Clarendon

A truly classic design that has taken inspiration from some of Britain's oldest and most elite schools. The Clarendon is an old school cast iron radiator which has been expertly designed to be an exact copy of the original Clarendon. It is named after the Clarendon group of old schools some of which include Harrow, Eton and Winchester. This modest and characterful radiator lends itself to both contemporary and traditional spaces.

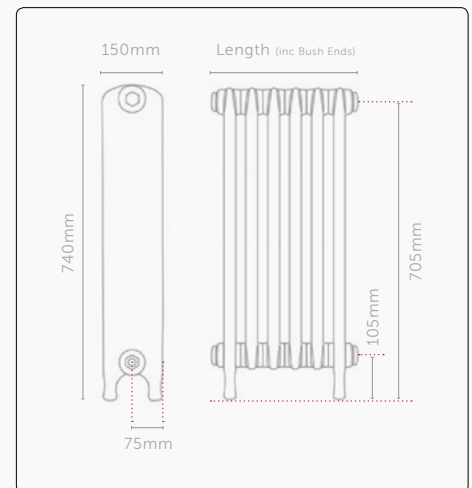
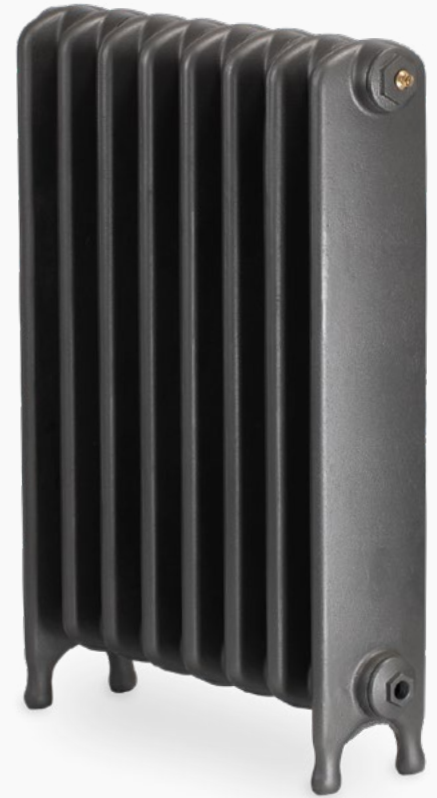
HEIGHT (Please select your required height to view heat output and specifications)

440 **740**

CODE	SECTIONS	LENGTH	OUTPUT		WEIGHT (KG)	WATER CONTENT (LTRs)
			75 / 65 / 20 BTUs	WATTS		
CLAR-740-03	3	228	1275	374	25	5.10
CLAR-740-04	4	293	1700	498	34	6.80
CLAR-740-05	5	358	2125	623	42	8.50
CLAR-740-06	6	423	2550	747	51	10.20
CLAR-740-07	7	488	2975	872	59	11.90
CLAR-740-08	8	552	3400	996	68	13.60
CLAR-740-09	9	617	3825	1121	76	15.30
CLAR-740-10	10	682	4250	1246	85	17.00
CLAR-740-11	11	747	4675	1370	94	18.70
CLAR-740-12	12	812	5100	1495	102	20.40
CLAR-740-13	13	876	5525	1619	110	22.10
CLAR-740-14	14	941	5950	1744	119	23.80
CLAR-740-15	15	1006	6375	1868	127	25.50
CLAR-740-16	16	1071	6800	1993	136	27.20
CLAR-740-17	17	1136	7225	2118	144	28.90
CLAR-740-18	18	1200	7650	2242	153	30.60
CLAR-740-19	19	1265	8075	2367	161	32.30
CLAR-740-20	20	1330	8500	2491	170	34.00
CLAR-740-21	21	1395	8925	2616	178	35.70
CLAR-740-22	22	1460	9350	2740	187	37.40
CLAR-740-23	23	1524	9775	2865	195	39.10
CLAR-740-24	24	1589	10200	2989	204	40.80
CLAR-740-25	25	1654	10625	3114	212	42.50
CLAR-740-26	26	1719	11050	3239	221	44.20
CLAR-740-27	27	1784	11475	3363	229	45.90
CLAR-740-28	28	1848	11900	3488	237	47.60
CLAR-740-29	29	1913	12325	3612	246	49.30
CLAR-740-30	30	1978	12750	3737	254	51.00
CLAR-740-31	31	2043	13175	3861	263	52.70
CLAR-740-32	32	2108	13600	3986	271	54.40
CLAR-740-33	33	2172	14025	4110	280	56.10
CLAR-740-34	34	2237	14450	4235	288	57.80
CLAR-740-35	35	2302	14875	4360	297	59.50
CLAR-740-36	36	2367	15300	4484	305	61.20
CLAR-740-37	37	2432	15725	4609	314	62.90
CLAR-740-38	38	2496	16150	4733	322	64.60
CLAR-740-39	39	2561	16575	4858	331	66.30
CLAR-740-40	40	2626	17000	4982	339	68.00

Maximum test pressure = 3.3 bar | Maximum working pressure = 2.5 bar

Lengths quoted are given in good faith. However, due to the nature of the manufacturing process tolerances can and should be expected. Quoted dimensions should therefore only be used as a guideline. Longer lengths are available on request.



01205 280354

sales@paladinradiators.com

www.paladinradiators.com

Paladin Radiators, Langrick Road,
New York, Lincolnshire LN4 4XH

