

Montpellier

Inspired by the daring simplicity of daisies to bring beauty to any room. The Montpellier old style cast iron radiator, also known as the "daisy radiator", is an alluring decorative style cast iron radiator. The Montpellier's origins lie in France in the late 1890's. The seductive design emits romance with its delicate daisy and ribbons pattern, which flows from the ornate foot of the radiator to the top. The Montpellier lends itself well to a hand-painted highlight finish or a hand-polish effect, which only serves to accentuate and add more charm to this cast iron radiator – a genuinely captivating centrepiece for any room.

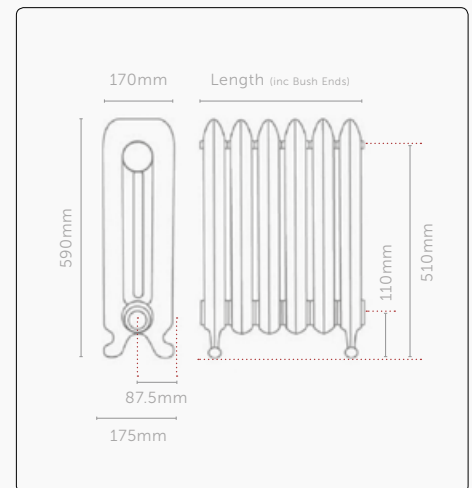
HEIGHT (Please select your required height to view heat output and specifications)

590 790

CODE	SECTIONS	LENGTH	OUTPUT		WEIGHT (KG)	WATER CONTENT (LTRs)
			75 / 65 / 20 BTUs	WATTS		
MONT-590-03	3	249	1026	301	24	4.50
MONT-590-04	4	320	1368	401	32	6.00
MONT-590-05	5	392	1710	501	40	7.50
MONT-590-06	6	464	2052	601	49	9.00
MONT-590-07	7	535	2394	702	57	10.50
MONT-590-08	8	607	2736	802	65	12.00
MONT-590-09	9	678	3078	902	73	13.50
MONT-590-10	10	750	3420	1002	81	15.00
MONT-590-11	11	822	3762	1103	89	16.50
MONT-590-12	12	893	4104	1203	97	18.00
MONT-590-13	13	965	4446	1303	105	19.50
MONT-590-14	14	1036	4788	1403	113	21.00
MONT-590-15	15	1108	5130	1504	121	22.50
MONT-590-16	16	1180	5472	1604	129	24.00
MONT-590-17	17	1251	5814	1704	137	25.50
MONT-590-18	18	1323	6156	1804	145	27.00
MONT-590-19	19	1394	6498	1904	154	28.50
MONT-590-20	20	1466	6840	2005	162	30.00
MONT-590-21	21	1538	7182	2105	170	31.50
MONT-590-22	22	1609	7524	2205	178	33.00
MONT-590-23	23	1681	7866	2305	186	34.50
MONT-590-24	24	1752	8208	2406	194	36.00
MONT-590-25	25	1824	8550	2506	202	37.50
MONT-590-26	26	1896	8892	2606	210	39.00
MONT-590-27	27	1967	9234	2706	218	40.50
MONT-590-28	28	2039	9576	2807	226	42.00
MONT-590-29	29	2110	9918	2907	234	43.50
MONT-590-30	30	2182	10260	3007	242	45.00
MONT-590-31	31	2254	10602	3107	251	46.50
MONT-590-32	32	2325	10944	3208	259	48.00
MONT-590-33	33	2397	11286	3308	267	49.50
MONT-590-34	34	2468	11628	3408	275	51.00
MONT-590-35	35	2540	11970	3508	283	52.50
MONT-590-36	36	2612	12312	3608	291	54.00
MONT-590-37	37	2683	12654	3709	299	55.50
MONT-590-38	38	2755	12996	3809	307	57.00
MONT-590-39	39	2826	13338	3909	315	58.50
MONT-590-40	40	2898	13680	4009	323	60.00

Maximum test pressure = 3.3 bar | Maximum working pressure = 2.5 bar

Lengths quoted are given in good faith. However, due to the nature of the manufacturing process tolerances can and should be expected. Quoted dimensions should therefore only be used as a guideline. Longer lengths are available on request.



01205 280354

sales@paladinradiators.com

www.paladinradiators.com

Paladin Radiators, Langrick Road,
New York, Lincolnshire LN4 4XH



Montpellier

Inspired by the daring simplicity of daisies to bring beauty to any room. The Montpellier old style cast iron radiator, also known as the "daisy radiator", is an alluring decorative style cast iron radiator. The Montpellier's origins lie in France in the late 1890's. The seductive design emits romance with its delicate daisy and ribbons pattern, which flows from the ornate foot of the radiator to the top. The Montpellier lends itself well to a hand-painted highlight finish or a hand-polish effect, which only serves to accentuate and add more charm to this cast iron radiator – a genuinely captivating centrepiece for any room.

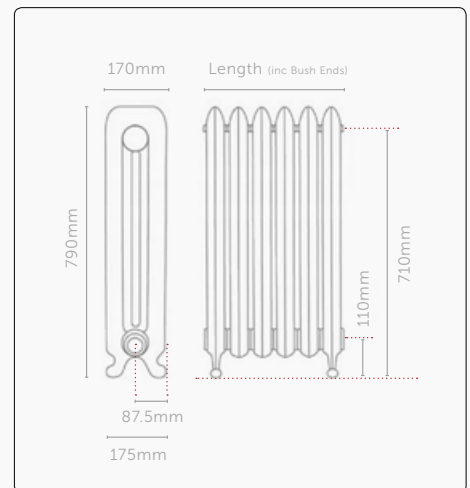
HEIGHT (Please select your required height to view heat output and specifications)

590 **790**

CODE	SECTIONS	LENGTH	OUTPUT		WEIGHT (KG)	WATER CONTENT (LTRs)
			75 / 65 / 20			
			BTUs	WATTS		
MONT-790-03	3	247	1710	501	32	8.40
MONT-790-04	4	318	2280	668	43	8.40
MONT-790-05	5	389	2850	835	53	10.50
MONT-790-06	6	460	3420	1002	64	12.60
MONT-790-07	7	531	3990	1169	75	14.70
MONT-790-08	8	602	4560	1336	85	16.80
MONT-790-09	9	673	5130	1504	96	18.90
MONT-790-10	10	744	5700	1671	106	21.00
MONT-790-11	11	815	6270	1838	117	23.10
MONT-790-12	12	886	6840	2005	128	25.20
MONT-790-13	13	957	7410	2172	138	27.30
MONT-790-14	14	1028	7980	2339	149	29.40
MONT-790-15	15	1099	8550	2506	160	31.50
MONT-790-16	16	1170	9120	2673	170	33.60
MONT-790-17	17	1241	9690	2840	181	35.70
MONT-790-18	18	1312	10260	3007	192	37.80
MONT-790-19	19	1383	10830	3174	202	39.90
MONT-790-20	20	1454	11400	3341	213	42.00
MONT-790-21	21	1525	11970	3508	223	44.10
MONT-790-22	22	1596	12540	3675	234	46.20
MONT-790-23	23	1667	13110	3842	245	48.30
MONT-790-24	24	1738	13680	4009	255	50.40
MONT-790-25	25	1809	14250	4176	266	52.50
MONT-790-26	26	1880	14820	4343	277	54.60
MONT-790-27	27	1951	15390	4511	287	56.70
MONT-790-28	28	2022	15960	4678	298	58.80
MONT-790-29	29	2093	16530	4845	309	60.90
MONT-790-30	30	2164	17100	5012	319	63.00
MONT-790-31	31	2235	17670	5179	330	65.10
MONT-790-32	32	2306	18240	5346	341	67.20
MONT-790-33	33	2377	18810	5513	351	69.30
MONT-790-34	34	2448	19380	5680	362	71.40
MONT-790-35	35	2519	19950	5847	372	73.50
MONT-790-36	36	2590	20520	6014	383	75.60
MONT-790-37	37	2661	21090	6181	394	77.70
MONT-790-38	38	2732	21660	6348	404	79.80
MONT-790-39	39	2803	22230	6515	415	81.90
MONT-790-40	40	2874	22800	6682	426	84.00

Maximum test pressure = 3.3 bar | Maximum working pressure = 2.5 bar

Lengths quoted are given in good faith. However, due to the nature of the manufacturing process tolerances can and should be expected. Quoted dimensions should therefore only be used as a guideline. Longer lengths are available on request.



01205 280354

sales@paladinradiators.com

www.paladinradiators.com

Paladin Radiators, Langrick Road,
New York, Lincolnshire LN4 4XH

